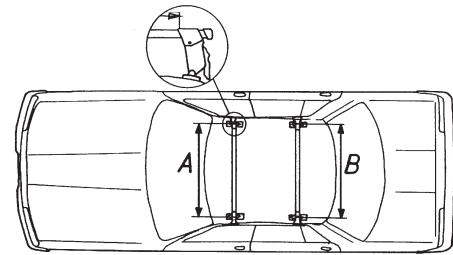
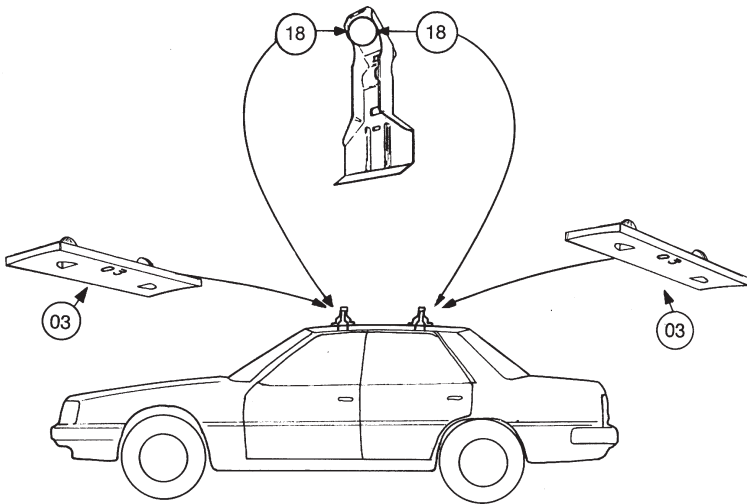
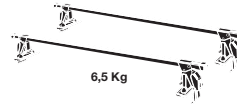


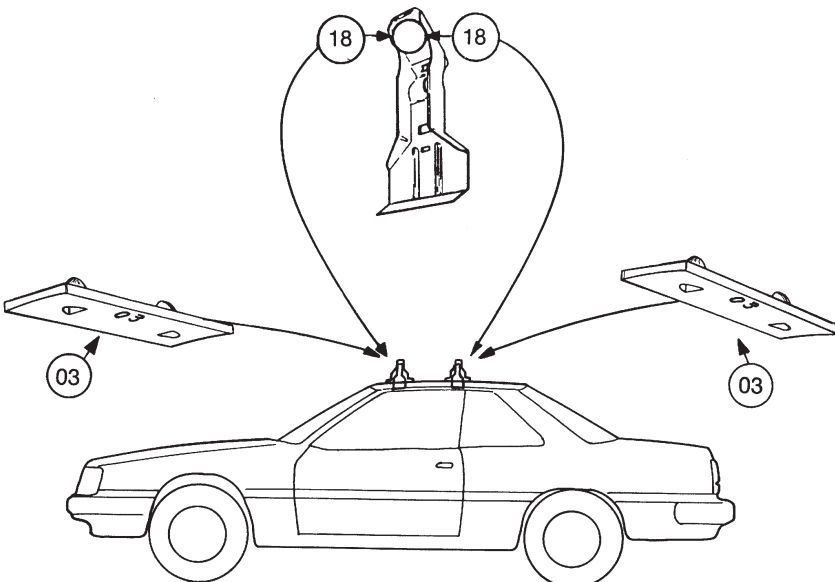
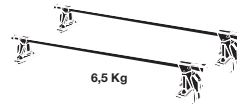
Thule System Kit 017

BUICK Skylark, 86-
CHEVROLET Sprint 5-dr, 85-
DAIHATSU Cuore, 86-
DAIHATSU Mira, 86-
FORD LTD Crown Victoria 4-dr, 88-
PONTIAC Firefly, 5-dr
RENAULT Espace, 85-
SKODA 105, 120, 130
SUZUKI Sa, Swift, Cultus, Forsa, 85-88



	A	B	A	B
Skoda 105, 120	855 mm	855 mm	33 ³ / ₈ inch	33 ³ / ₈ inch
Pontiac Grand Am	870 mm	870 mm	34 ¹ / ₄ inch	34 ¹ / ₄ inch
Buick Somerset Regal	870 mm	870 mm	34 ¹ / ₄ inch	34 ¹ / ₄ inch
Oldsmobile Calais	870 mm	870 mm	34 ¹ / ₄ inch	34 ¹ / ₄ inch
Renault Espace	1019 mm	1019 mm	40 ¹ / ₈ inch	40 ¹ / ₈ inch

BUICK Somerset regal, 85-
OLDSMOBILE Calais, 85-
PONTIAC Grand am, 85-



GB ATTENTION!

We recommend use of the THULE short roof line adaptor (SRA) part no. 1061-000-2 for two door vehicles with restricted roof area, such as sports coupes etc.

Designed exclusively for the THULE 1061 system to maximise carrying capacity and versatility by spreading the bars equally so that loads such as sailboards, bicycles and small craft can be secured easily.

Ask your THULE dealer for more details.

